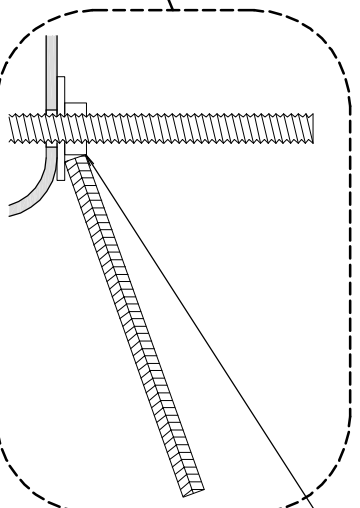


GALVANIZED THREADED HOOK

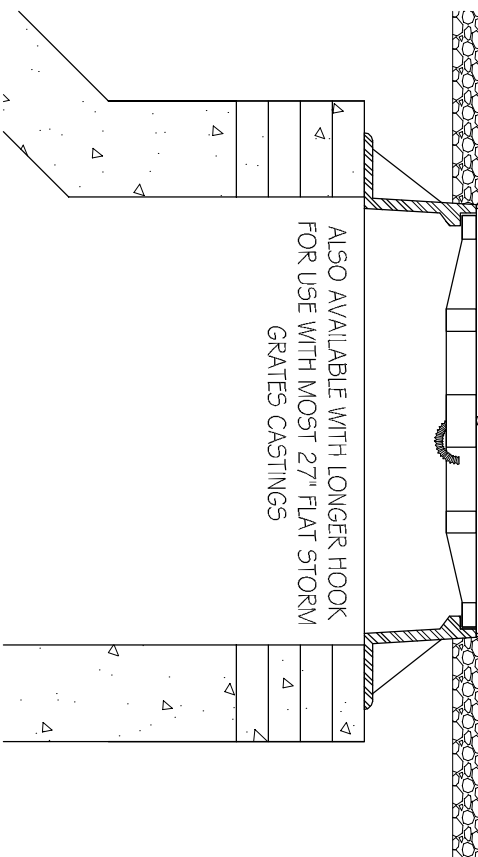
INFRASAFE 27" SEDIMENT CONTROL BARRIER-  
FOR MOST DITCH GRATE TYPE CASTINGS  
INCLUDING NEENAH R-4342

FLOW RATES COMPARE TO OR EXCEED FLOW  
RATES OF COMMONLY USED GRATES



QUICKLY ATTACHES TO GRATE  
USING SPECIALLY DESIGNED NUT  
WITH 6" BAR HANDLE REQUIRING  
NO TOOLS FOR INSTALLATION

- ULTRAVIOLET RESISTANT
- EASILY MAINTAINED
- EASY TO INSTALL
- HOOKS TO CB GRATE



ALSO AVAILABLE WITH LONGER HOOK  
FOR USE WITH MOST 27" FLAT STORM  
GRATES CASTINGS

DURABLE ECO FRIENDLY HDPE PROVIDES A  
LIGHTWEIGHT AND STRONG PRODUCT THAT CAN  
EASILY BE RE-USED FOR THE NEXT PROJECT.

PRODUCT DESIGN DOES NOT INTERFERE WITH LOAD  
BEARING CAPACITY OF FRAME

# 27" INFRASAFE SEDIMENT CONTROL BARRIER - DG (FOR USE WITH DITCH GRATE INLET CASTINGS)

DISTRIBUTED BY:



763-478-2027