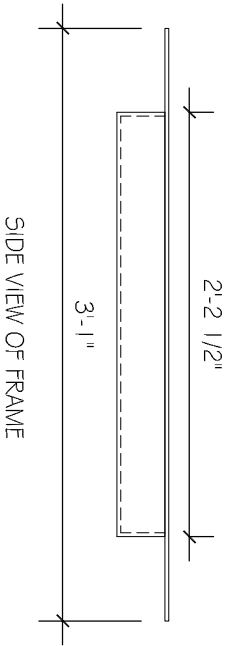
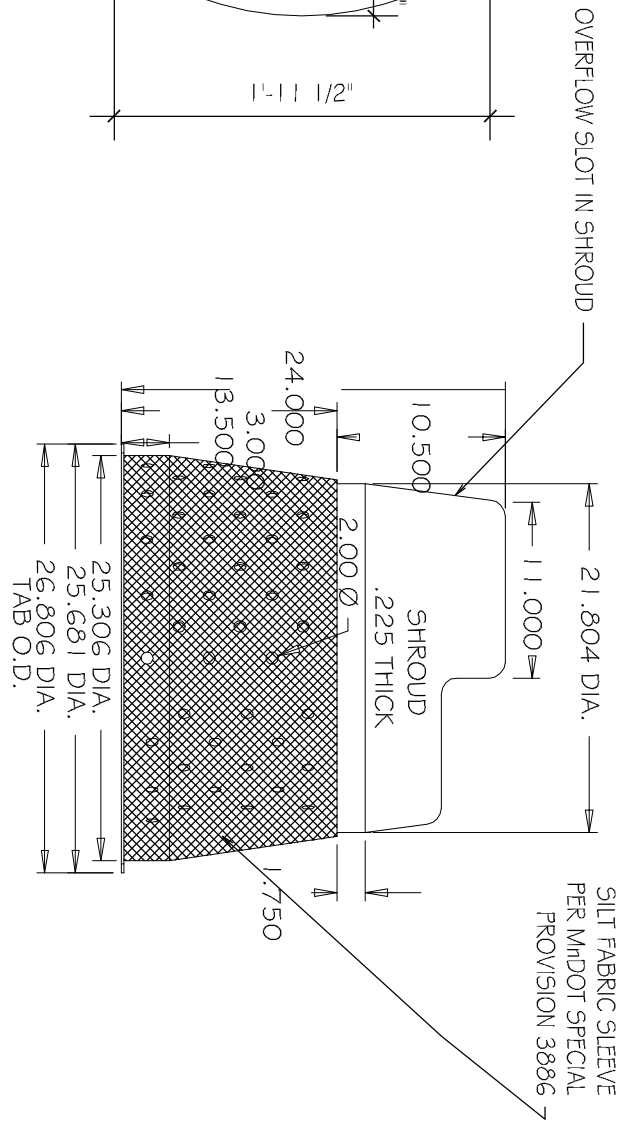


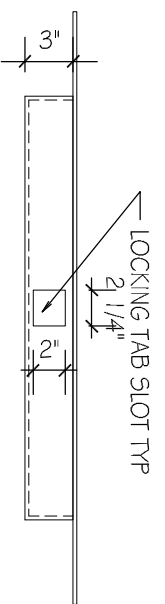
TOP VIEW OF FRAME



SIDE VIEW OF FRAME



SHROUD VIEW



END VIEW OF FRAME

27" SEDIMENT CONTROL BARRIER WITH FRAME