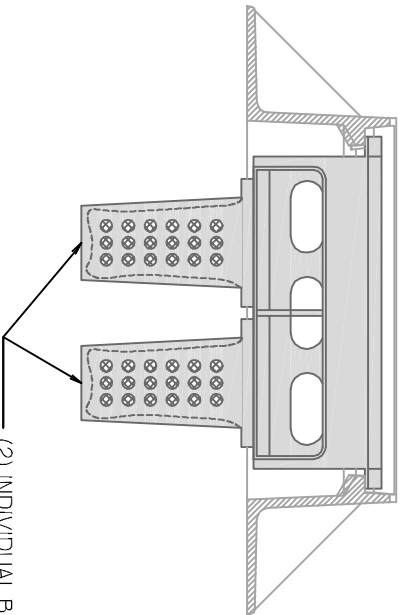
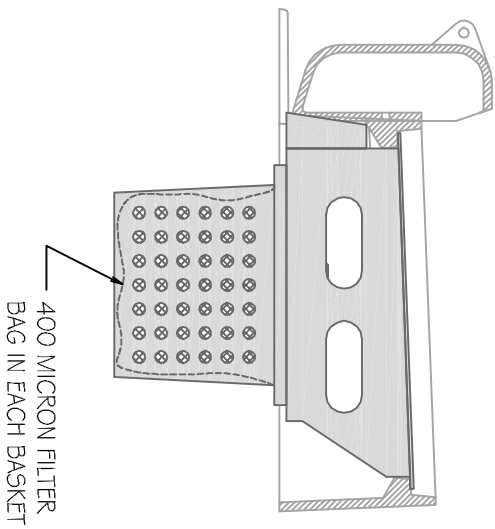


FILTER AREA	2.75 FT ²
OVERFLOW AREA	0.4 FT ²
MAXIMUM OVERFLOW RATE (@ 7" HEAD)	2.00 CFS
MAXIMUM OVERFLOW RATE (@ 13" HEAD)	2.90 CFS
BASKET WEIGHT (EMPTY)	1 LB
BASKET WEIGHT (FULL-APPROX.)	50 LBS



(2) INDIVIDUAL BASKETS FOR EASE OF MAINTENANCE
---APPROX. FULL WEIGHT 50 LBS



400 MICRON FILTER BAG IN EACH BASKET

GENERAL NOTES:

- 1.) DESIGNED FOR NENAH R-3250-006 (MHDOT 802 or 805)
- 2.) BASKET DESIGN PROVIDES LARGER FILTER AREA AND EASY CLEANING, REDUCING OVERFLOW INSTANCES AND SEDIMENT LOAD ON THE SEWER SYSTEM
- 3.) FLOW RATES COMPARE TO OR EXCEED FLOW RATES OF COMMONLY USED GRATES
- 4.) PRODUCT DESIGN DOES NOT INTERFERE WITH LOAD BEARING CAPACITY OF FRAMES
- 5.) DURABLE ECOFRIENDLY HDPE IS UV RESISTANT AND PROVIDES A STRONG LIGHTWEIGHT PRODUCT THAT CAN BE EASILY RE-USED FOR THE NEXT PROJECT

INFRA SAFE 2'x2' DEBRIS COLLECTION DEVICE

DISTRIBUTED BY:



763-410-2027