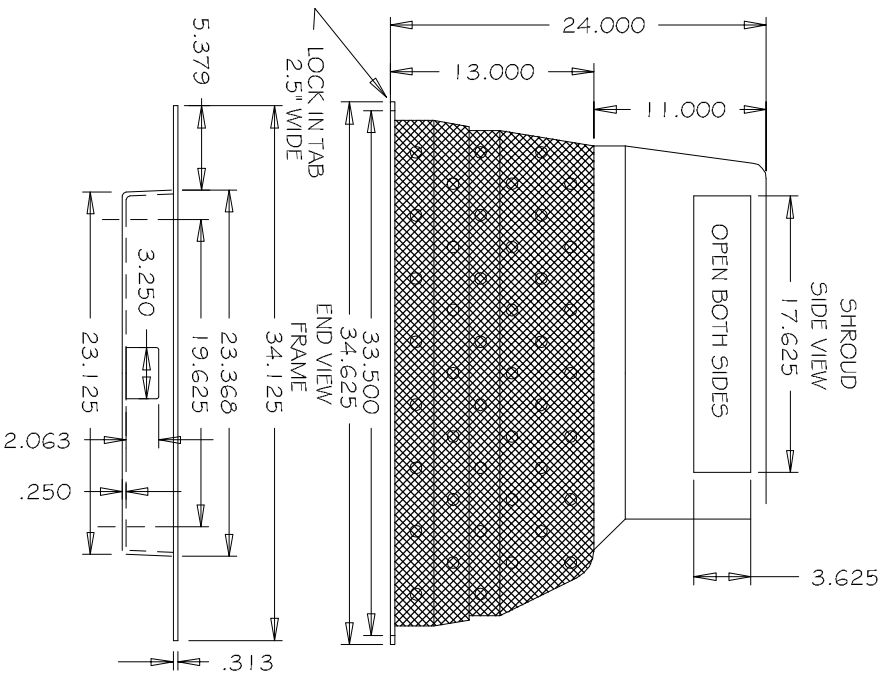
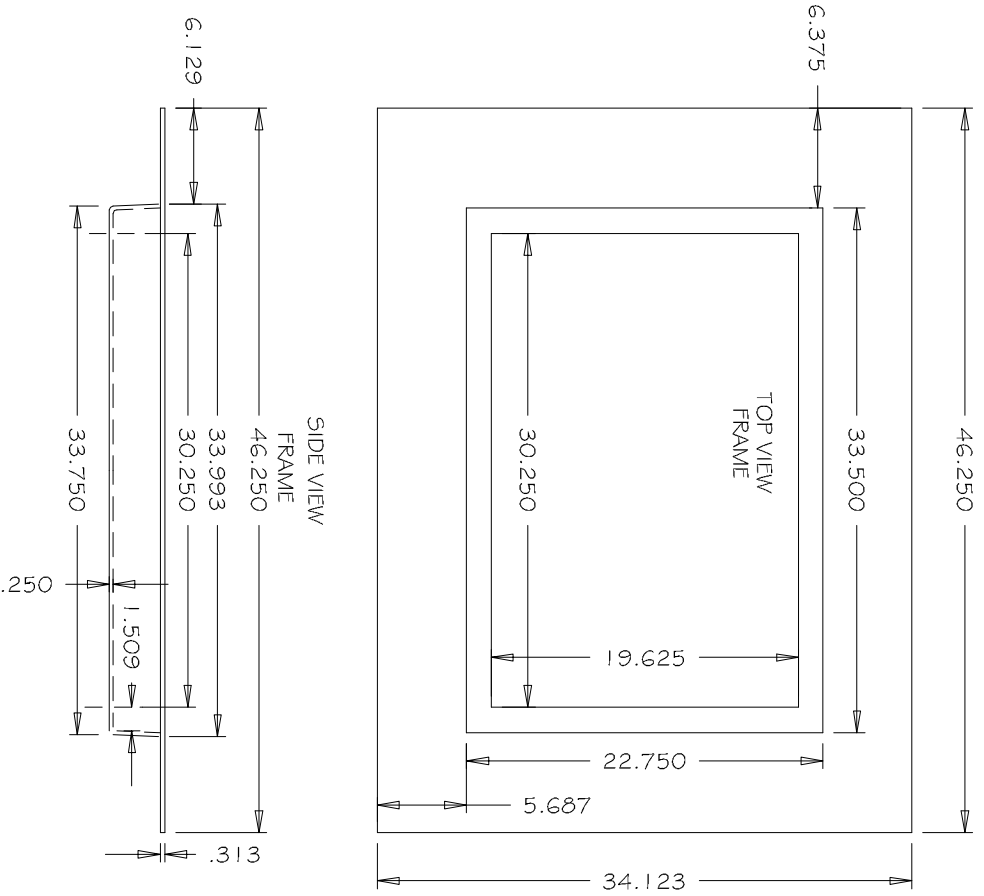


UOM = inches



2'X3' SEDIMENT CONTROL BARRIER WITH FRAME