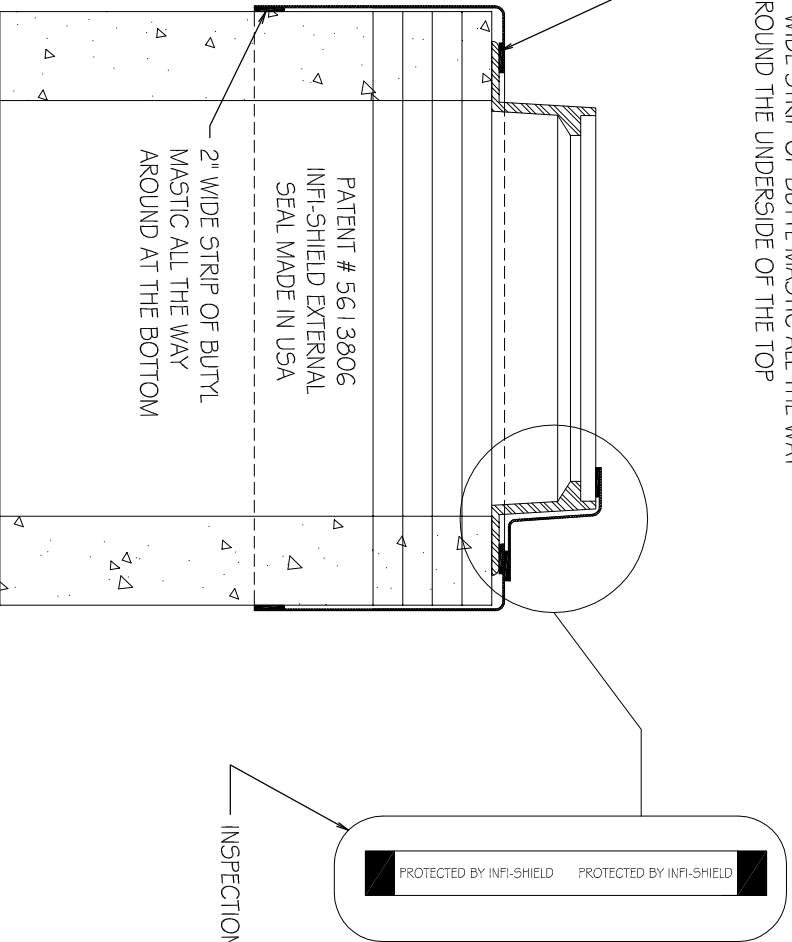
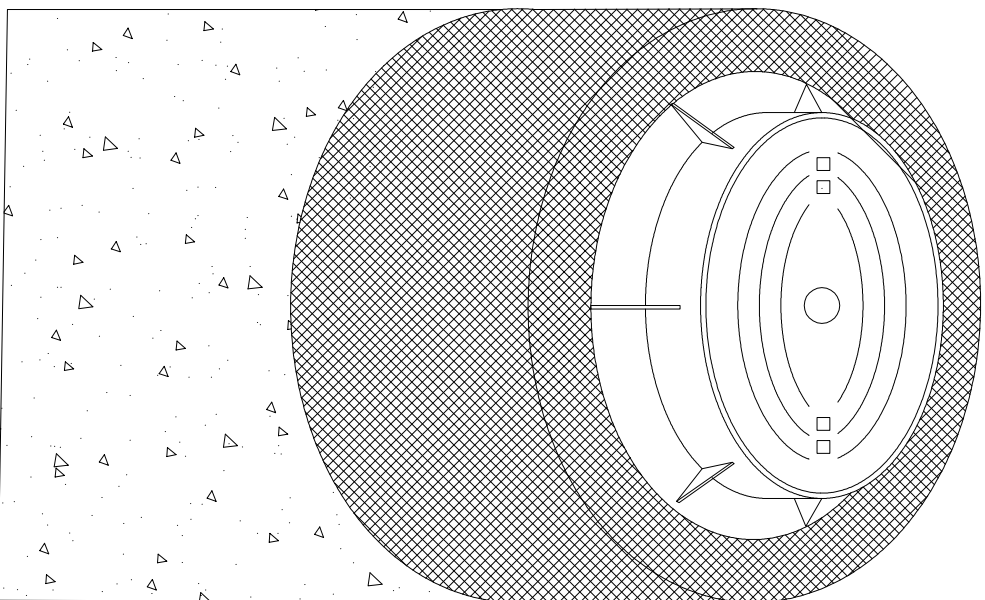


2" WIDE STRIP OF BUTYL MASTIC ALL THE WAY AROUND THE UNDERSIDE OF THE TOP



GENERAL NOTES:

- 1.) INSTALL THE INFI-SHIELD EXTERNAL SEAL ON THE OUTSIDE SURFACE OF THE ADJUSTMENT RING AREA COVERING ALL THE GRADE RINGS.
- 2.) APPLY PRIMER TO AREAS WHERE ATTACHING NON-HARDENING BUTYL MASTIC TO CASTING FLANGE AND CONE SECTION
- 3.) ATTACH INSPECTION TAB TO MANHOLE LID AND BACKFILL
- 4.) CONTACT SEALING SYSTEMS INC. FOR ADDITIONAL INSTALLATION INSTRUCTIONS OR ANY OTHER PRODUCT INFORMATION AT 800-478-2054



INFI-SHIELD EXTERNAL MANHOLE SEALING DETAIL



SINCE
1867

9350 CR 19
LORETTO, MN 55357
PH: 763-478-2027
FAX: 763-478-8868
WWW.ESSBROTHERS.COM