

No Flow Inflow

Strong Durable Manhole Cover Dish



Leaking manhole covers are a major contributor to rainfall induced inflow. Sewer evaluation studies indicate that a typical manhole casting will allow an inflow rate from .20 to over 5 gallons per minute during rainfall occurrences. While the manhole cover is one of the leading contributors to collections system I & I; ironically, it is the easiest and most cost-effective problem to remedy.

You can stop this unwanted inflow of rainwater through the manhole cover with the strong, durable No Flow Inflow dish. No Flow Inflow manhole cover inserts are custom sized to provide an enhanced fit and seal, and are manufactured from ultra high density polyethylene copolymer material known as Marlex HXM 50100. No Flow Inflow dishes can be inexpensively installed utilizing your “in-house” collection system maintenance personnel.

Distributed by:

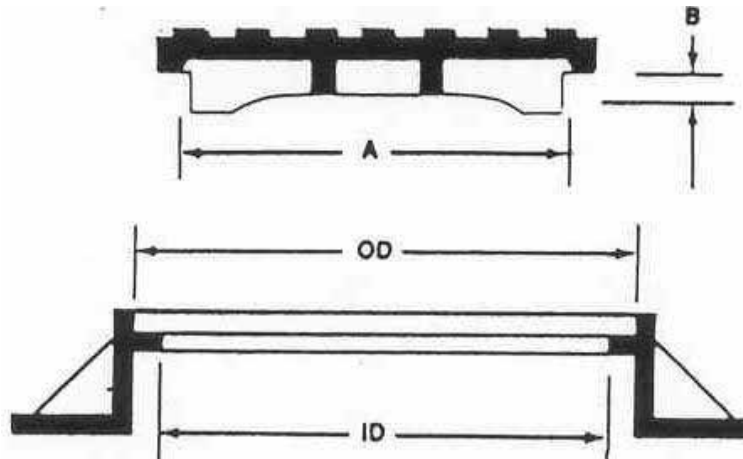


Sealing Systems, Inc.

23230 W. Thomess Blvd. ♦ Loretto, MN 55357 ♦ 800-478-2054 ♦ Fax 763-478-8868 ♦ www.ssisealingsystems.com

No Flow Inflow

How to Order your Custom Fit No Flow Inflow Dish



Note: Some lids have no drop ring and are essentially flat underneath

1. Remove manhole cover
2. Clean the manhole rim or flange of any dirt or debris to insure accurate measurement
3. Locate the CLEAR OPENING of the manhole Diameter measurement (I.D.) shown above. Take two or three readings along the I.D. circumference and record the smallest measurement to the nearest eighth of an inch.
4. Locate the outer edge of the manhole rim. This is the Outside Diameter measurement (O.D.). Take two or three readings along the O.D. circumference and record the smallest measurement tot the nearest eighth of an inch.
5. Provide dimensions A & B on cover as above
6. Please indicate the specific type of manhole frame and cover that you have i.e. locking, bolt down, watertight, ect., along with the name of the foundry and drawing if possible.

LIMITED WARRANTY

No Flow Inflow, Inc. covers manhole dishes with a 5 year replacement warranty against failure in workmanship for the .150 material thickness inflow dish and a 10 year replacement warranty for the .187 material thickness inflow dish.

Call for Specifications



Sealing Systems, Inc.

23230 W. Thomess Blvd. ♦ Loretto, MN 55357 ♦ 800-478-2054 ♦ Fax 763-478-8868 ♦ www.ssisealingsystems.com