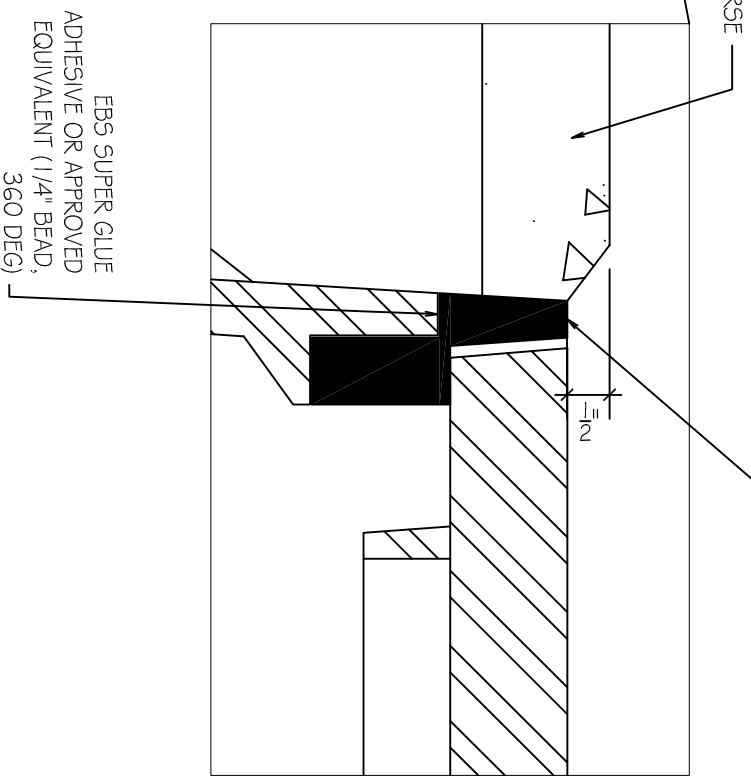
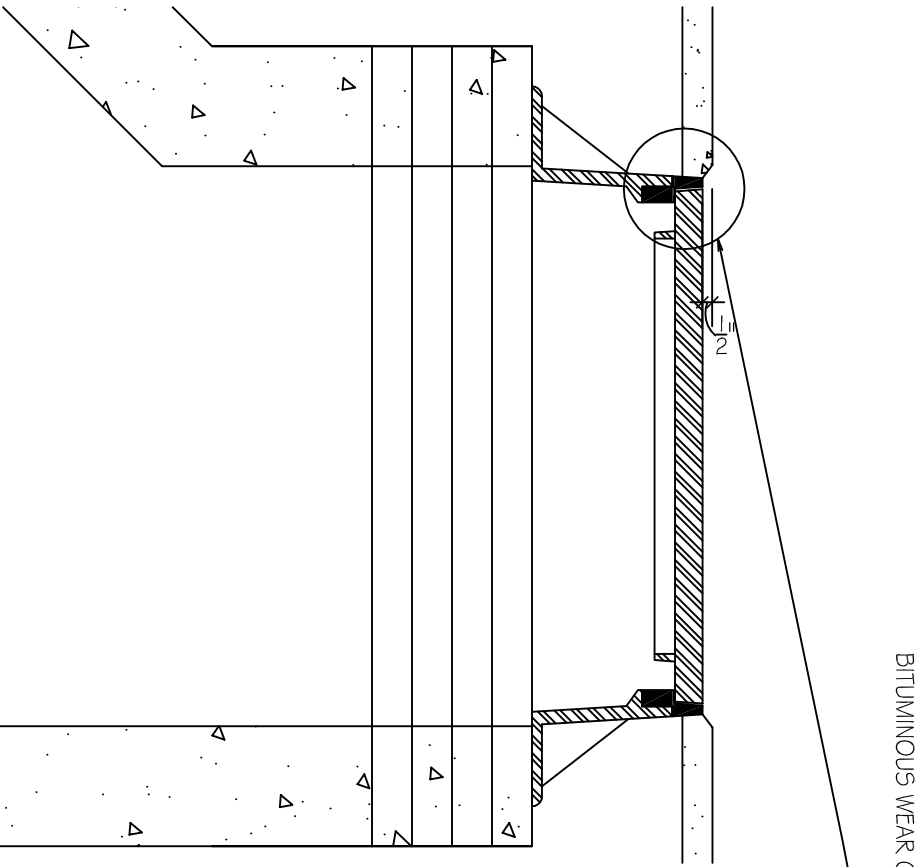


NOTE: THE HEIGHT OF THE
CAST IRON OR DUCTILE
ADJUSTMENT RING IS DETERMINED
BY THE THICKNESS OF THE
OVERLAY

TO BE INSTALLED FOLLOWING MANUFACTURERS RECOMMENDATION

CAST IRON OR DUCTILE IRON ADJUSTMENT RING
AS MANUFACTURED BY ESS BROTHERS AND SONS, INC.
OR APPROVED EQUAL



ESS BROTHERS AND SONS INC.
23230 WEST THOMESS BLVD.
LORETTO, MN 55357
PHONE: 763-478-2027
FAX: 763-478-8668



MANHOLE CASTING
OVERLAY
ADJUSTMENT DETAIL

DATE: 1-3-06	CHECKED BY: TT
SHEET: 1 OF 1	DRAWN BY: BAV