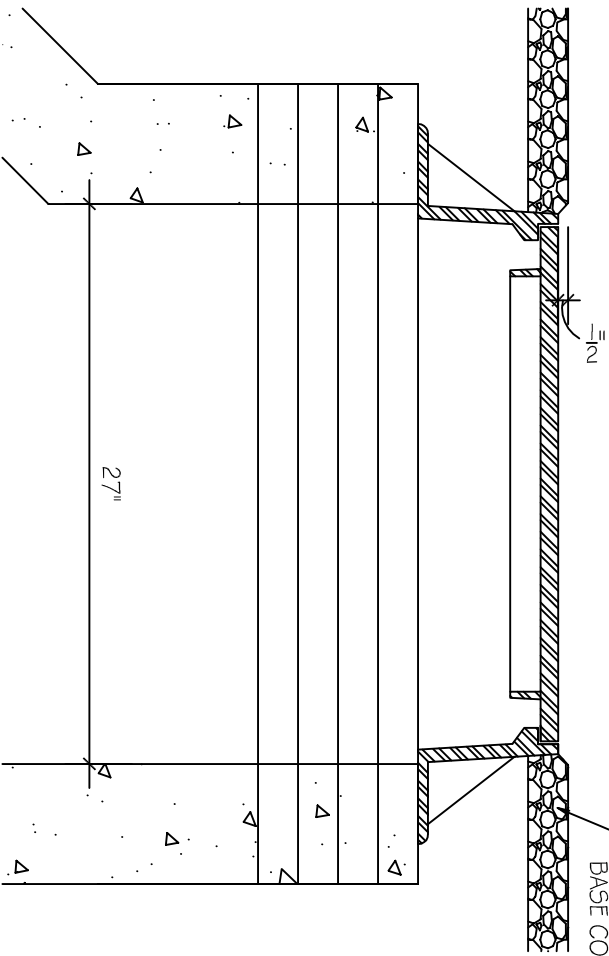


NOTE: THE HEIGHT OF THE
CAST IRON OR DUCTILE
ADJUSTMENT RING IS DETERMINED
BY THE THICKNESS OF THE
OVERLAY

TO BE INSTALLED FOLLOWING MANUFACTURERS RECOMMENDATION

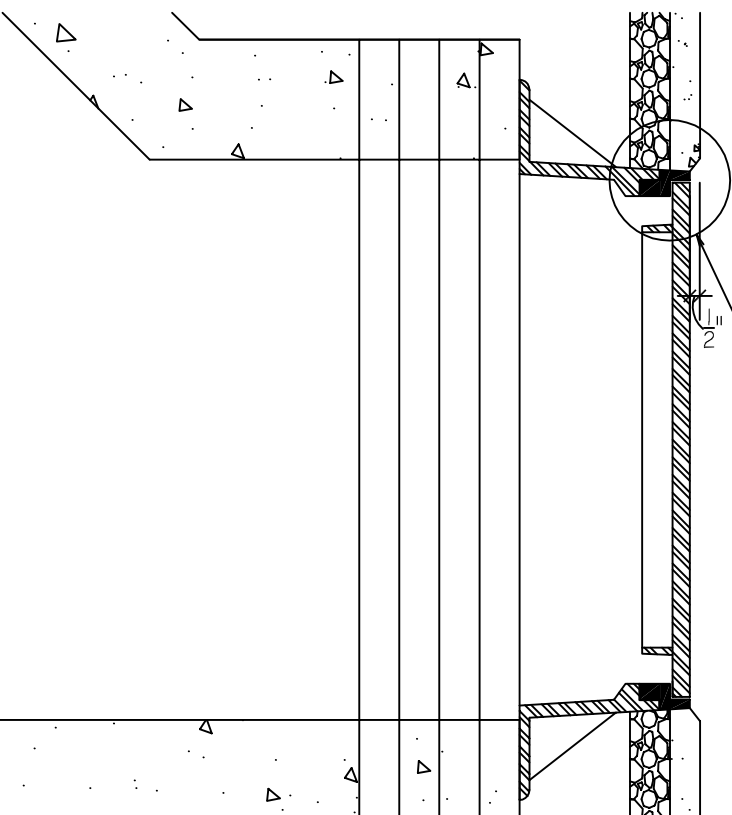
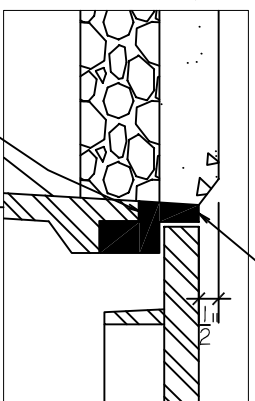


BITUMINOUS BASE COURSE ADJUSTMENT DETAIL

CAST IRON OR DUCTILE IRON ADJUSTMENT RING
AS MANUFACTURED BY ESS BROTHERS ADN SONS, INC.
OR APPROVED EQUAL

1.5" BITUMINOUS WEAR COURSE
2" BITUMINOUS BASE COURSE

EBS SUPER GLUE
ADHESIVE OR APPROVED
EQUIVALENT (1/4" BEAD,
360 DEG)



BITUMINOUS WEAR COURSE ADJUSTMENT DETAIL

MANHOLE CASTING
ADJUSTMENT DETAIL

DATE: 11-11-05

CHECKED BY: TT

SHEET: 1 OF 1

DRAWN BY: BAV